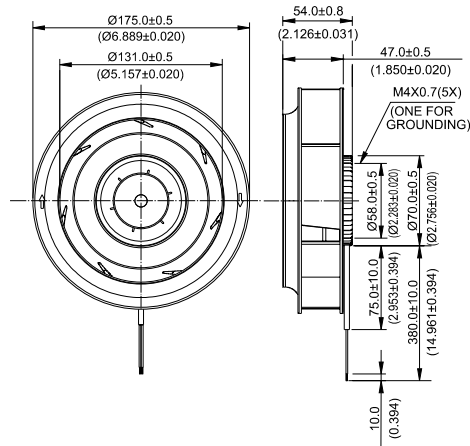
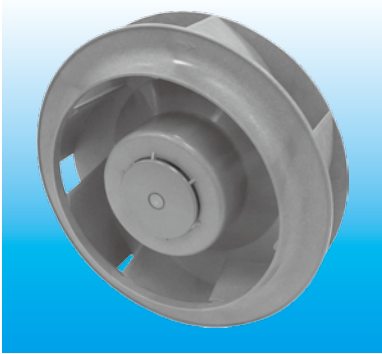


# KFB $\phi 175 \times 54$ MM SERIES

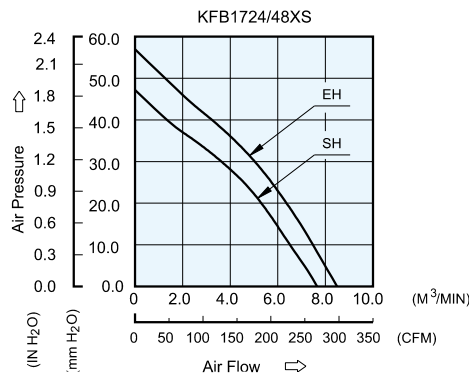
## ■ DIMENSIONS DRAWING



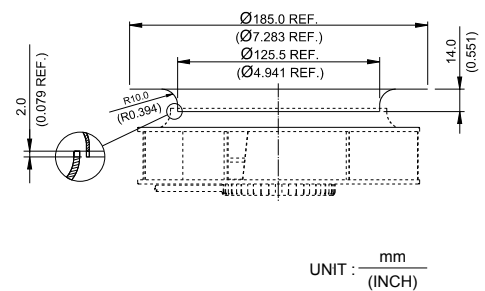
UNIT :  $\frac{\text{mm}}{\text{(INCH)}}$

- \* Bearing Type  
Ball Bearings
- \* Material  
Impeller : Plastic (UL 94V-0)  
Pillow : Die-Cast Aluminum
- \* Lead Wires :  
UL 1430 AWG #22 OR Equivalent  
Red Wire Positive(+)  
Black Wire Negative(-)
- \* Weight : 620g (21.87 oz)

## ■ P & Q CURVE (AT RATED VOLTAGE)



## ■ MOUNTING PANEL CUTOUT



UNIT :  $\frac{\text{mm}}{\text{(INCH)}}$

MODEL		Rated Voltage	Operating Voltage Range	Input Current	Input Power	Speed	Maximum Air Flow		Maximum Air Pressure		Noise
PART NO.	FUNCTION	VDC	VDC	Amp	Watt	R.P.M.	m <sup>3</sup> /min	CFM	mmH <sub>2</sub> O	IN H <sub>2</sub> O	dB-A
KFB1724SHS	-R00 / -F00	24	14.0 to 30.0	1.65	39.60	3800	7.584	267.84	47.21	1.859	71.0
KFB1748SHS	-R00 / -F00	48	28.0 to 60.0	0.80	38.40						
KFB1724EHS	-R00 / -F00	24	14.0 to 27.6	2.30	55.20	4200	8.421	297.39	56.96	2.361	73.5
KFB1748EHS	-R00 / -F00	48	28.0 to 60.0	1.15	55.20						

\* Function type is optional.  
 \* The max. air flow and the speed are measured in free air ; max. air pressure is measured at zero air flow.  
 \* Noise is measured in anechoic chamber in free air, one meter from intake side.  
 \* All readings are typical values at rated voltage.  
 \* Specifications are subject to change without notice.